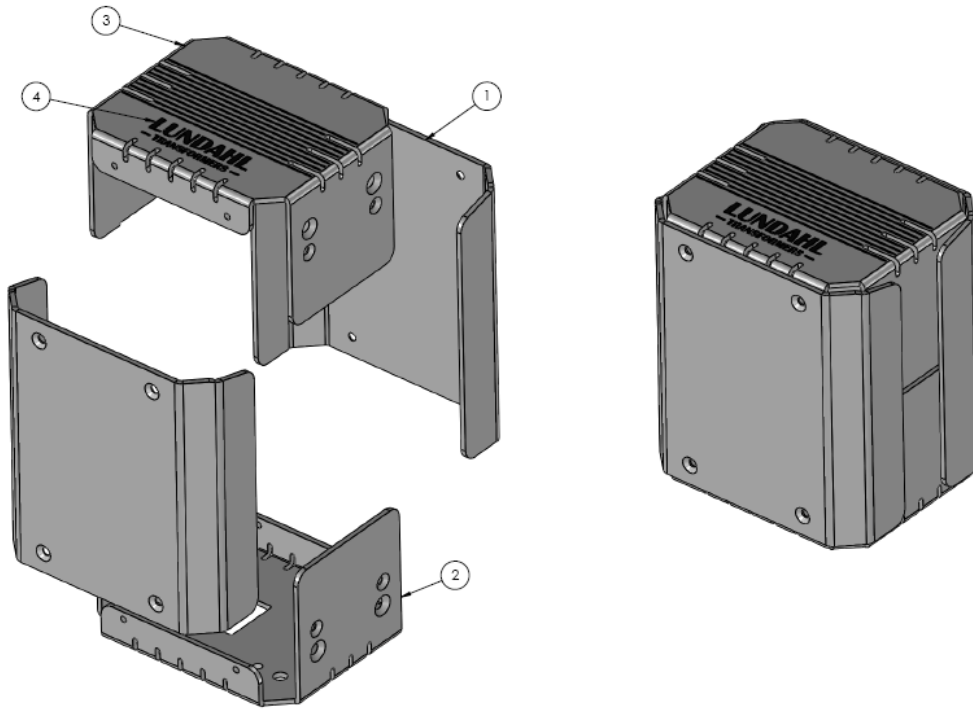


LL1638_HOUSING

Housing for **LL1638** and **LL1660** size chokes and transformers.



Dimensions 110 mm (4.33") tall,
95 x 80 mm (3.76" x 3.15") footprint
Finish Medium charcoal semi-gloss powder coat

Material 2 mm construction steel
Logo Black silk screen print

LL1638_housing footprint.

NOT TO SCALE. For mounting, drill 4 x 4.5 mm holes for M4 screws, and one 20mm hole for cables.

