

Tube amplifier output transformer LL1691 9k : 8 ohms (for 845 tubes)

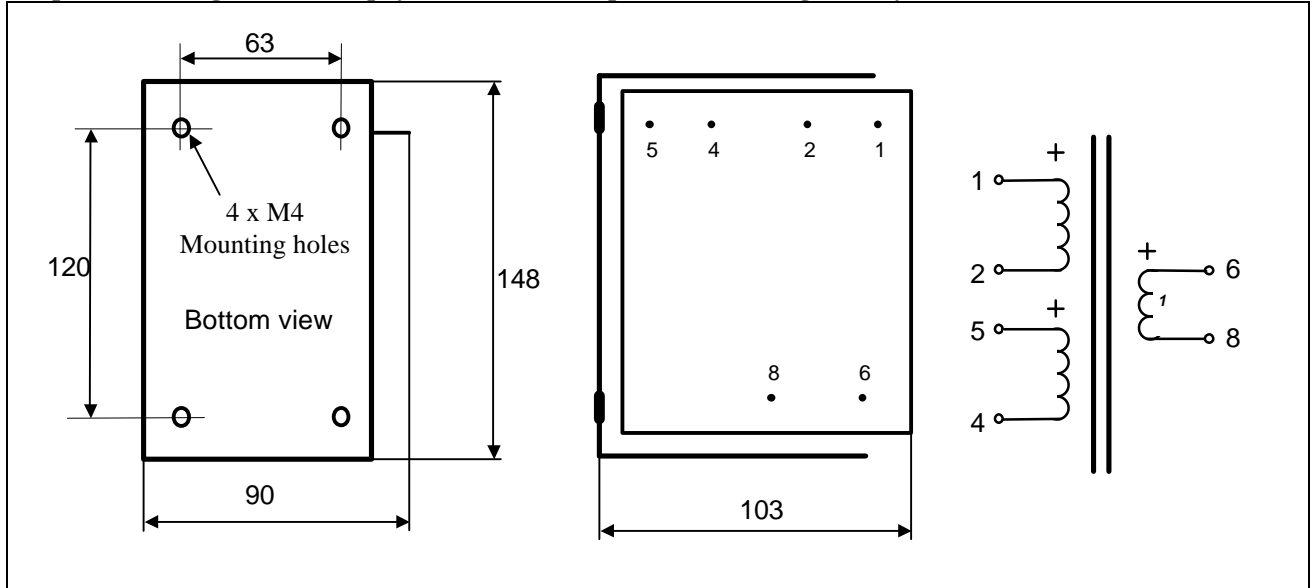
The LL1691 is a dual coil C-core tube amplifier output transformer for 9k: 8 ohms impedance ratio available in PP and SE versions.

The coil is wound using our high internal isolation technique with isolation foil between each copper layer. The core is an audio C-core of our own production.

Turns ratio

17+17 : 1

Simplified winding schematics, physical dimensions, pin and mounting hole layout (all dimensions in mm)



- Weight:** 4.6 kg
- Static resistance of each primary:** 112 Ω
- Static resistance of secondary:** 0.3 Ω
- Isolation between windings / between windings and core:** 4 kV / 2 kV
- Max DC current through any primary winding (10W heat dissip):** 210mA

	LL1691/PP	LL1691/70mA
Primary inductance (approx.)		75H
Max primary signal	1220V R.M.S. @ 30 Hz	530V R.M.S. @ 30 Hz
Max output power @ 30 Hz	160W (8Ω spkr)	30W (8Ω spkr)

Suggested use:

