

Tube amplifier output transformer LL1691B 20k : 8 ohms

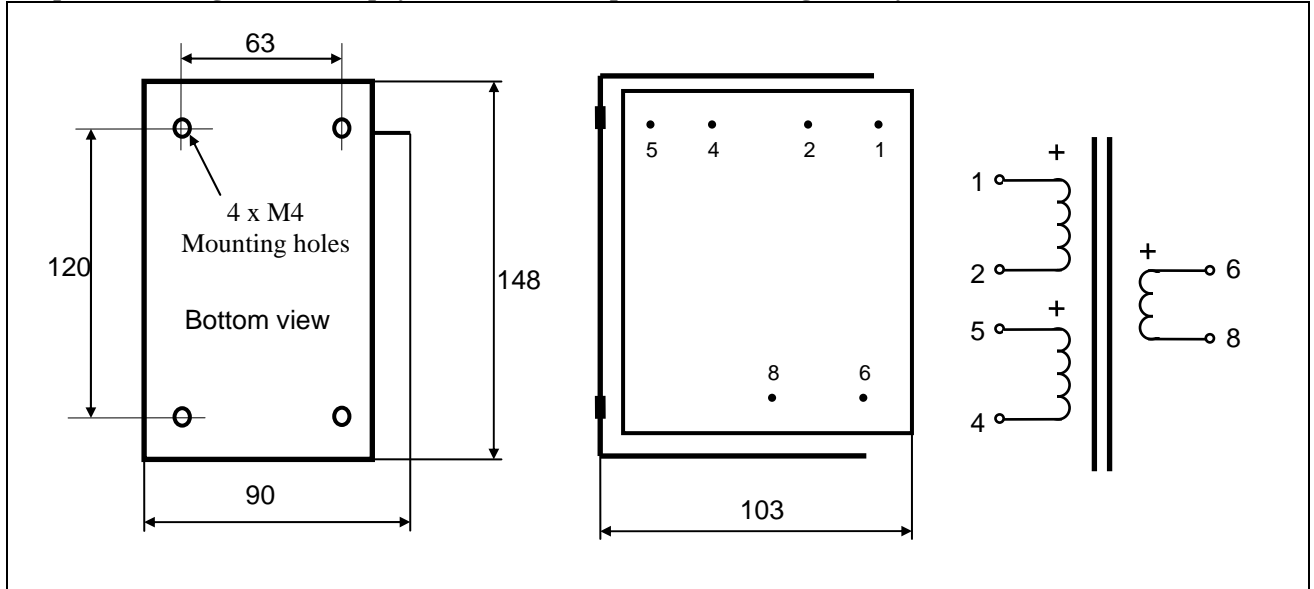
The LL1691B is a dual coil C-core tube amplifier output transformer for 20k: 8 ohms impedance ratio, Based on the LL1691 design. The LL1691B is available in PP and SE versions.

The coil is wound using our high internal isolation technique with isolation foil between each individual layer of copper wire. The core is an audio C-core of our own production.

Turns ratio

25 + 25 : 1

Simplified winding schematics, physical dimensions, pin and mounting hole layout (all dimensions in mm)



Weight:	4.6 kg
Static resistance of each primary:	260 Ω
Static resistance of secondary:	0.3 Ω
Isolation between windings / between windings and core:	4 kV / 2 kV
Max DC current through any primary winding (10W heat dissip):	140mA

	LL1691B/PP	LL1691B/70mA
Primary inductance (approx.)		110 H
Max primary signal	1830V R.M.S. @ 30 Hz	790V R.M.S. @ 30 Hz
Max output power @ 30 Hz	160W (8Ω spkr)	30W (8Ω spkr)

Suggested use:

